

Nothing's easier than swivelling!

For the loading of upright machines or for vertical storage of products the *VacuBoy* is also available with a swivel mechanism. By means of electrical cylinders or gear motors engaged loads can be swivelled effortlessly and stopped in any position.

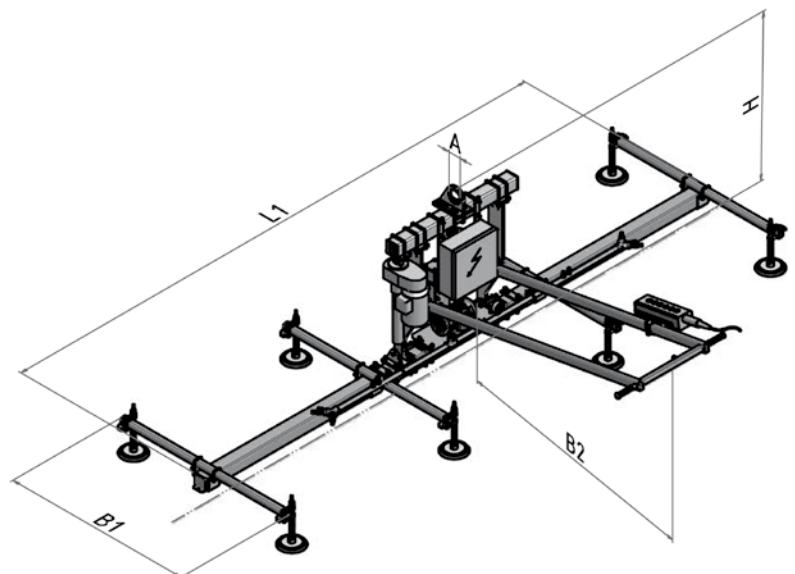
This is controlled by push-buttons which are mounted user-friendly on the manipulating handle. This series contains all the required safety features and can be adjusted to individual needs at any time.

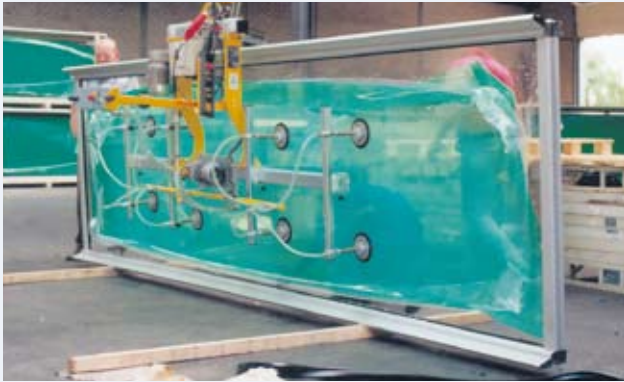


VacuBoy-90 handling wrapped sandwich elements

24 / 25

VacuBoy – Swivelling

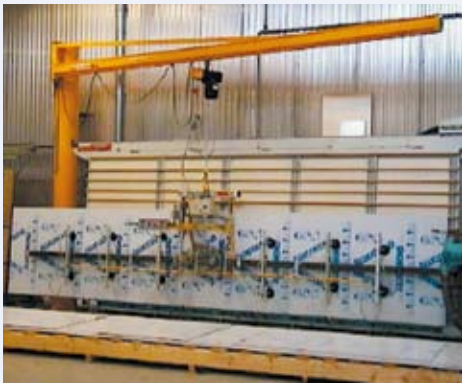




VacuBoy-90 handling window elements



VacuBoy-90 handling heavy glass panes



VacuBoy-90 operating in front of a saw



VacuBoy-90 handling thin steel plates



Vertical handling of cable reels

up to 1 t

Carrying capacity (kg)	Type	Work piece dimensions		Pump	Number of suction plates	L1 (mm)	B1 (mm)	B2 (mm)	H (mm)	A (mm)	Own weight (kg)
		max. (mm)	min. (mm)								
100/50	VB 80-90	2.500 x 1.250	1.000 x 400	T 4.4	4, 8	1.800	800	650	500	80	60 - 70
200/100	VB 80-90	4.000 x 2.000	1.000 x 400	T 4.4	4, 8	1.800	800	650	1.050	80	70 - 80
400/200	VB 80-90	4.000 x 2.000	1.000 x 400	T 4.4	4, 8	1.800	800	650	1.050	80	75 - 90
600/300	VB 80-90	4.000 x 2.000	1.000 x 400	T 4.8	4, 8	2.400	800	650	1.050	80	80 - 110
800/400	VB 100-90	4.000 x 2.000	1.000 x 400	T 4.8	4, 8, 12	2.400	800	650	1.150	80	300 - 340
1.000/500	VB 100-90	4.000 x 2.000	1.000 x 600	T 4.16	4, 8, 12	2.400	800	650	1.150	80	320 - 360
1.200/600	VB 100-90	6.000 x 2.500	1.000 x 600	T 4.16	8, 12, 16	2.400	1.200	900	1.150	80	340 - 380
1.400/700	VB 100-90	6.000 x 2.500	1.000 x 600	T 4.16	8, 12, 16	2.400	1.200	900	1.150	80	360 - 400
1.600/800	VB 100-90	6.000 x 2.500	1.000 x 600	T 4.16	8, 12, 16	3.000	1.200	900	1.150	80	460 - 500
1.800/900	VB 100-90	6.000 x 2.500	1.000 x 600	T 4.16	8, 12, 16	3.000	1.200	900	1.150	80	480 - 520
2.000/1.000	VB 100-90	6.000 x 2.500	1.000 x 600	T 4.16	8, 12, 16	3.000	1.200	900	1.150	80	500 - 540

The carrying capacity refers to an operational vacuum of 60% and a dry surface, free of dirt.
The indicated work piece dimensions are theoretical only and depend on the thickness of the material.