

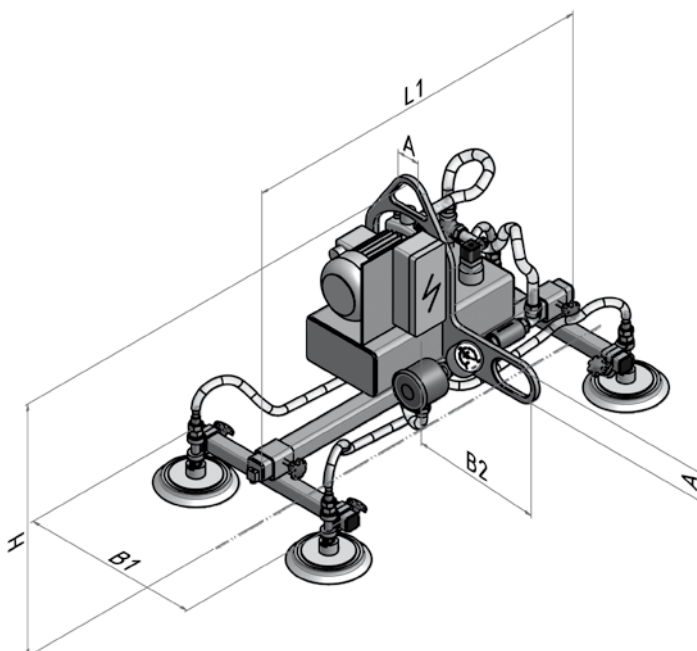
The lightweight with the high capacity!

The *VacuBoy Mini* is especially suitable for handling stable loads like barrels, drums, stone slabs and glass elements. By reallocating the crane hook in one of the two suspension eyes loads cannot only be transported horizontally but also vertically. The device can be equipped with either a single suction plate or with a beam with several mounted suction plates. Additionally, the *VacuBoy Mini* is available with a quick-change coupling. This allows to use different assemblies for different applications.



VacuBoy Mini handling drums

VacuBoy Mini – light





VacuBoy Mini with quick-change coupling



VacuBoy Mini handling sheet metal



Handling of window elements



VacuBoy Mini with special assembly for handling of drums



VacuBoy Mini handling steel plates

weight up to 300 kg

Carrying capacity (kg)	Type	Work piece dimensions		Pump	Number of suction plates	L1 (mm)	B1 (mm)	B2 (mm)	H (mm)	A (mm)	Own weight (kg)
		max. (mm)	min. (mm)								
100/50	VBM-1	2.500 x 1.250	400 x 400	T 4.4	1	220	220	270	450	60	20
100/50	VBM-4	2.500 x 1.250	1.000 x 400	T 4.4	4	1.200	400	270	550	60	30
150/75	VBM-4	2.500 x 1.250	1.000 x 400	T 4.4	4	1.200	400	270	550	60	30
200/100	VBM-1	2.500 x 1.250	400 x 400	T 4.4	1	280	280	270	450	60	25
200/100	VBM-4	2.500 x 1.250	1.000 x 400	T 4.4	4	1.200	400	270	550	60	35
300/150	VBM-1	2.500 x 1.250	600 x 600	T 4.4	1	460	250	270	550	60	25
300/150	VBM-4	2.500 x 1.250	1.000 x 400	T 4.4	4	1.200	400	270	550	60	35

The carrying capacity refers to an operational vacuum of 60% and a dry surface, free of dirt.
The indicated work piece dimensions are theoretical only and depend on the thickness of the material.