



40 / 41



| VacuCoil

Pages 40 / 41

VacuCoil for horizontal transport up to 5 t

Pages 42 / 43

VacuCoil for swivelling up to over 2 t

Pages 44 / 45

Steel, plastic, paper

VacuCoil

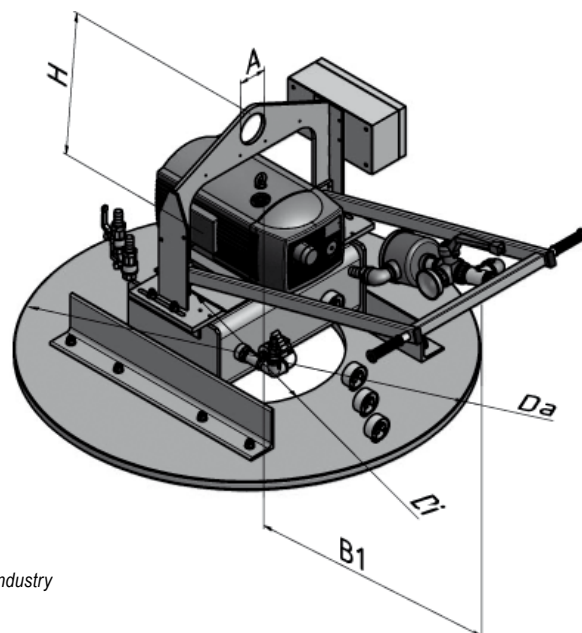
There is a solution for the handling of coils, split strips or paper roll weights of several tons – the *VacuCoil!* It guarantees an absolutely safe and reliable handling, even on slightly porous work pieces.

Work with fun all year round

The *VacuCoil* lifters were especially developed for the handling of coils, split strips and paper rolls. Even materials with coated surfaces or strapped packing strips can be transported faultlessly. Especially for re-positioning and pick-and-place applications the *VacuCoil* is available in horizontal design. Here the work pieces are engaged on their front surface. The individual design of the suction plates with several chambers allow the safe and gentle transport of work pieces with different inside and outside diameters. The safety features include a safety tank and an acoustic warning unit with power failure detector. Many options allow to design the lifter exactly for the customers's very needs.

42 / 43

VacuCoil – horizontal



VacuCoil used in the paper industry



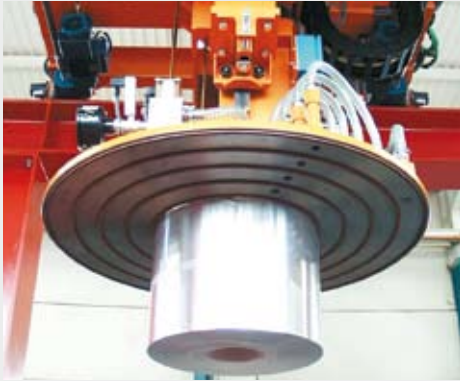
VacuCoil in automatic operation



VacuCoil with mechanical grippers



VacuCoil handling paper rolls



VacuCoil with various suction chambers in automatic operation



VacuCoil with transparent suction plate

transport up to 5 t

Carrying capacity (kg)	Type	Coil diameter		Pump	Number of suction chambers	Di (mm)	Da (mm)	B1 (mm)	H (mm)	A (mm)	Own weight (kg)
		Di (mm)	Da (mm)								
200	VC	150	min. 400	016.1	max. 2	150	400 - 1.000	600	700	100	200 - 250
400	VC	150	min. 400	016.1	max. 2	150	500 - 1.200	600	700	100	250 - 300
600	VC	150	min. 400	025.1	max. 2	150	600 - 1.400	900	700	100	300 - 350
800	VC	150	min. 400	025.1	max. 2	150	600 - 1.400	900	700	100	350 - 400
1.000	VC	150	min. 400	040.1	max. 3	150	700 - 1.600	900	1.000	100	400 - 550
1.500	VC	200	min. 500	040.1	max. 4	200	850 - 1.800	900	1.000	100	700 - 800
2.000	VC	200	min. 500	063.1	max. 6	200	1.000 - 2.000	1.250	1.000	200	800 - 1.000
3.000	VC	200	min. 500	063.1	max. 7	250	1.150 - 2.250	1.250	1.250	200	1.000 - 1.200
4.000	VC	200	min. 500	0100.1	max. 8	250	1.300 - 2.500	1.250	1.250	200	1.200 - 1.400
5.000	VC	200	min. 500	0100.1	max. 9	300	1.500 - 2.750	1.500	1.250	200	1.400 - 1.600

The carrying capacity refers to an operational vacuum of 60% and a dry surface, free of dirt.