

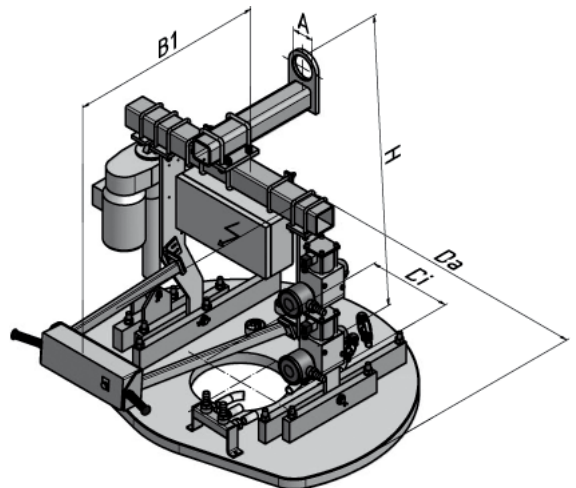
More room for movement

For the feeding of endlessly working punching and pressing machines the *VacuCoil-90* is equipped with a swivel feature. Previously, the coil had to be hauled by ropes and hooks from the horizontal into the vertical position, now just set down the *VacuCoil* on the coil – the rest is done by pressing a button. Gripping, swivelling and setting on a mandril. Very simple and without any damage the machine can be fed. According to our motto: safely, gently, fast!



VacuCoil used in the aluminium industry

VacuCoil – Swivellin





VacuCoil during removal process from a mandril



Handling of strapped coils



VacuCoil with transparent suction plate for the cable industry



VacuCoil in automatic operation



VacuCoil with flattened suction plate for the upright engagement of coils with various diameters

g up to more than 2 t

Carrying capacity (kg)	Type	Coil diameter		Pump	Number of suction chambers	Di (mm)	Da (mm)	B1 (mm)	H (mm)	A (mm)	Own weight (kg)
		Di (mm)	Da (mm)								
200	VC-90	150	min. 400	016.1	max. 2	150	600 - 1.000	600	1.150	100	250 - 300
400	VC-90	150	min. 400	016.1	max. 2	150	700 - 1.200	600	1.000	100	350 - 400
600	VC-90	150	min. 400	025.1	max. 2	150	800 - 1.400	900	1.000	100	400 - 450
800	VC-90	150	min. 400	025.1	max. 3	150	900 - 1.500	900	1.100	100	550 - 600
1.000	VC-90	150	min. 400	040.1	max. 3	150	1.000 - 1.600	900	1.200	100	650 - 850
1.500	VC-90	200	min. 500	040.1	max. 4	200	1.250 - 1.800	900	1.300	100	800 - 1.000
2.000	VC-90	200	min. 500	063.1	max. 6	200	1.500 - 2.000	1.250	1.400	100	950 - 1.150

The carrying capacity refers to an operational vacuum of 60% and a dry surface, free of dirt.